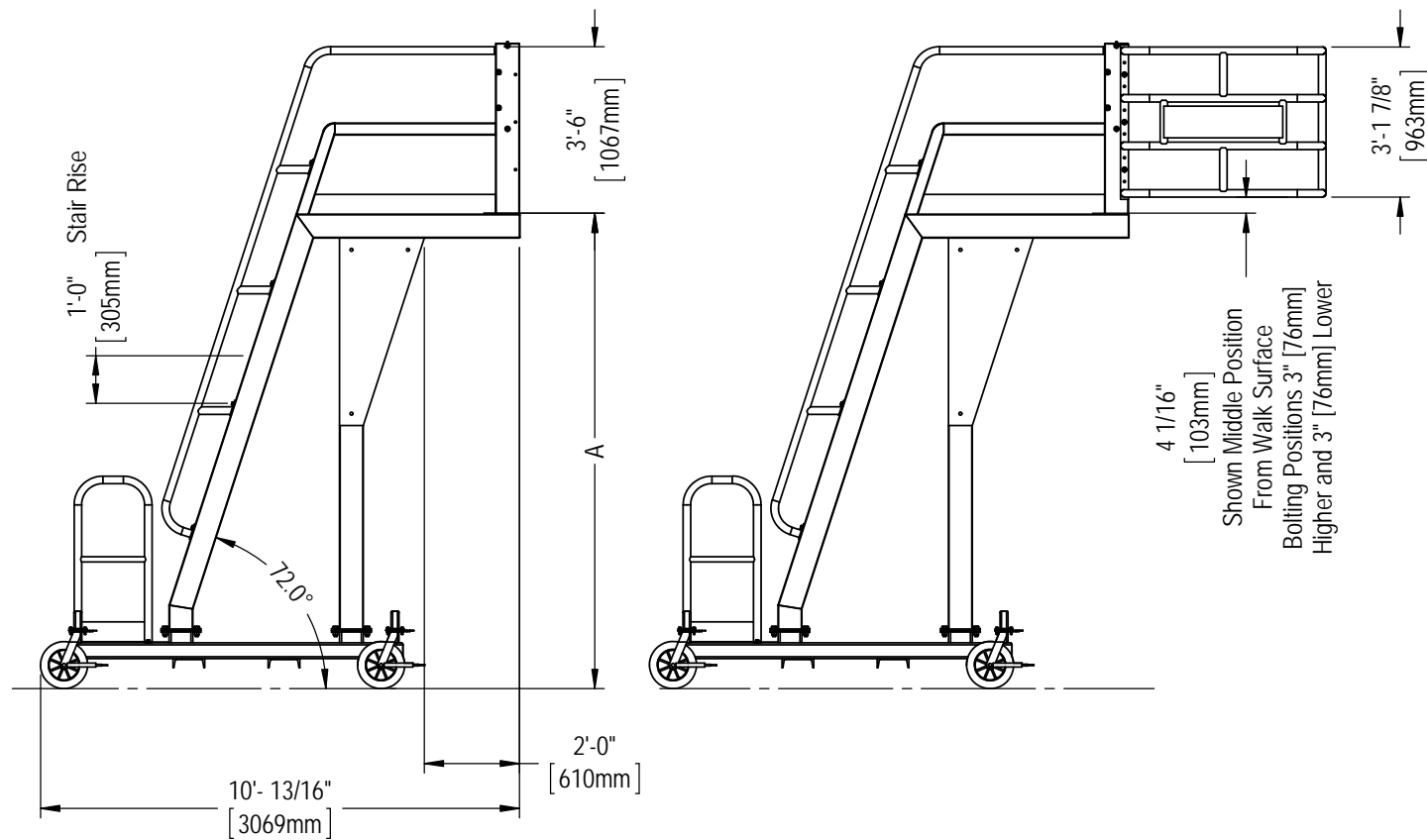
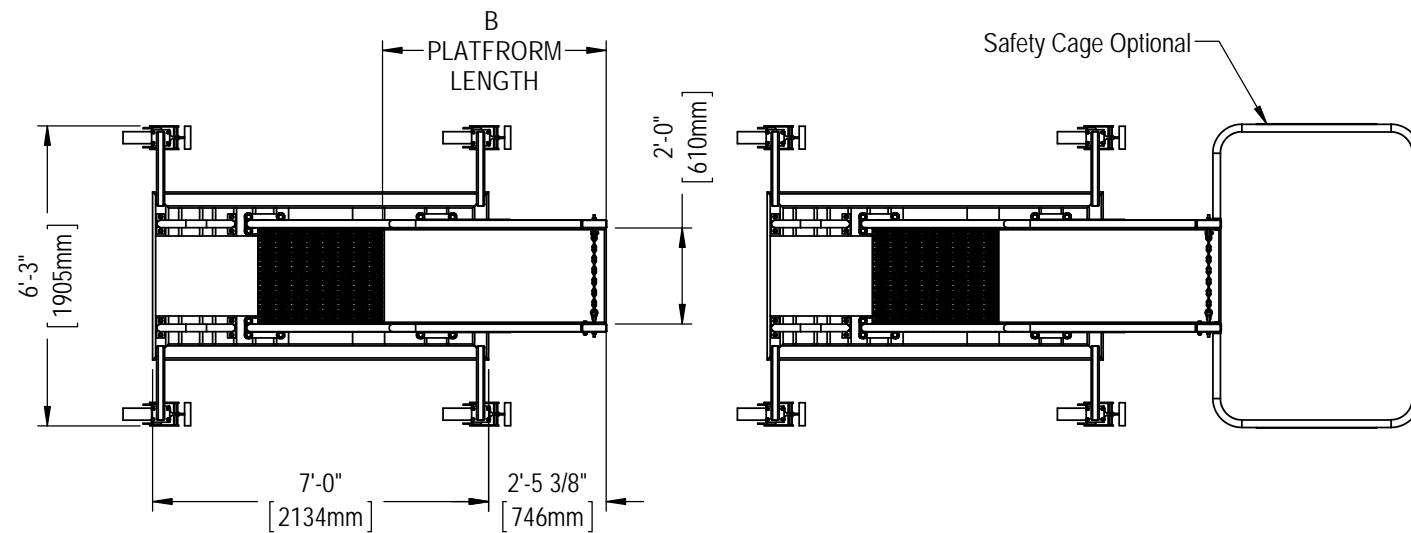
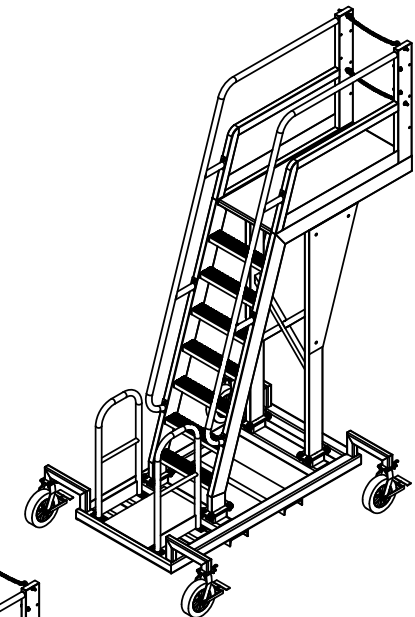


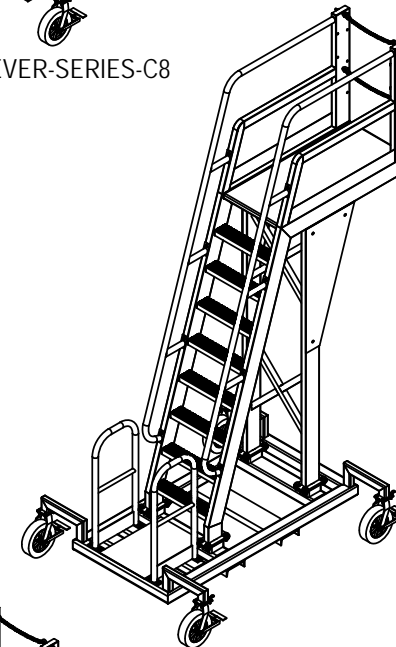
SERIES NAME	A	B
RS-CANTILEVER-SERIES-C8	8 FT (2438 mm)	5'-3 11/16" (1618 mm)
RS-CANTILEVER-SERIES-C9	9 FT (2743 mm)	4'-11 13/16" (1519 mm)
RS-CANTILEVER-SERIES-C10	10 FT (3048 mm)	4'-7 7/8" (1420 mm)
RS-CANTILEVER-SERIES-C11	11 FT (3353 mm)	4'-4" (1321 mm)
RS-CANTILEVER-SERIES-C12	12 FT (3658 mm)	4'-1/8" (1222 mm)



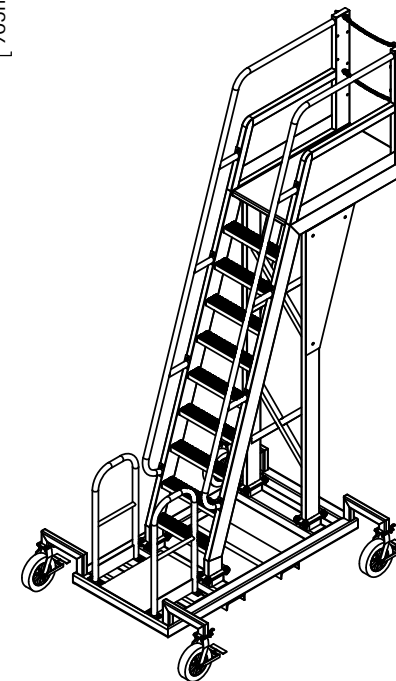
RS-CANTILEVER-SERIES-C8



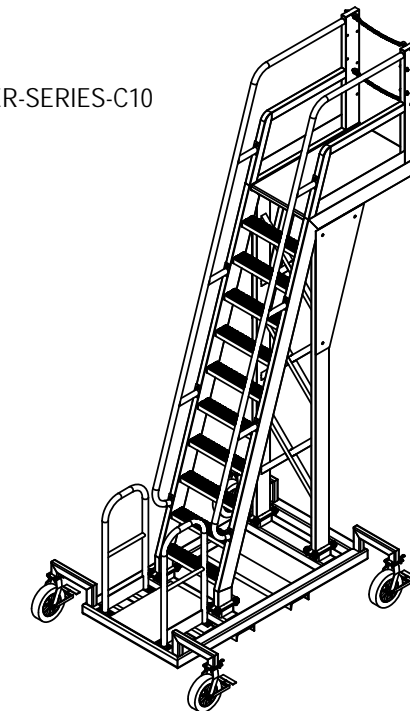
RS-CANTILEVER-SERIES-C9



RS-CANTILEVER-SERIES-C10



RS-CANTILEVER-SERIES-C11



RS-CANTILEVER-SERIES-C12

ALL INFORMATION CONTAINED HEREIN IS CONFIDENTIAL & PROPRIETARY. ANY DISCLOSURE OR REPRODUCTION WITHOUT THE WRITTEN CONSENT OF ROLLASTEP IS STRICTLY PROHIBITED.			
DATE: 1/31/12	DATE: 1/31/12	DATE: 1/31/12	DATE: 1/31/12
DESIGNED BY: TK	DRAWN BY: TK	CHECKED BY: TK	PROGRAMMED BY: TK
DATE: 1/31/12	DATE: 1/31/12	DATE: 1/31/12	DATE: 1/31/12
SCALE: 1:1	SCALE: 1:1	SCALE: 1:1	SCALE: 1:1
SHEET: 1	SHEET: 1	SHEET: 1	SHEET: 1

PART NAME: RS-CANTILEVER SERIES SPEC SHEET		CUSTOMER: ABAS #
JOB #		RS-CANTILEVER SERIES SPEC SHEET

# ROLLASTEP

ROLLASTEP WELDING STANDARDS	
SEAL WELD UNLESS OTHERWISE NOTED	
USE FILETS LISTED BELOW UNLESS OTHERWISE NOTED	
Material Thickness of Thicker Part Joined (mm)	Minimum Fillet Size (mm)
1 to 1/4" (6)	1/8" (3)
1/4" (6) to 1/2" (13)	3/16" (5)
1/2" (13) to 3/4" (19)	1/4" (6)
Over 3/4" (19)	5/16" (8)

2	38812	2	UPDATED WELD SPECS FOR ENGLISH METRIC DIMENSIONS	TK
1	2/23/12	1	SPEC SHEET CREATED (ENGLISH/METRIC)	TK
BATCH	DATE	REV	DESCRIPTION	BY